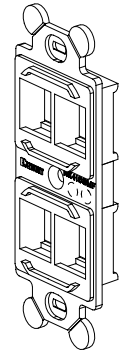
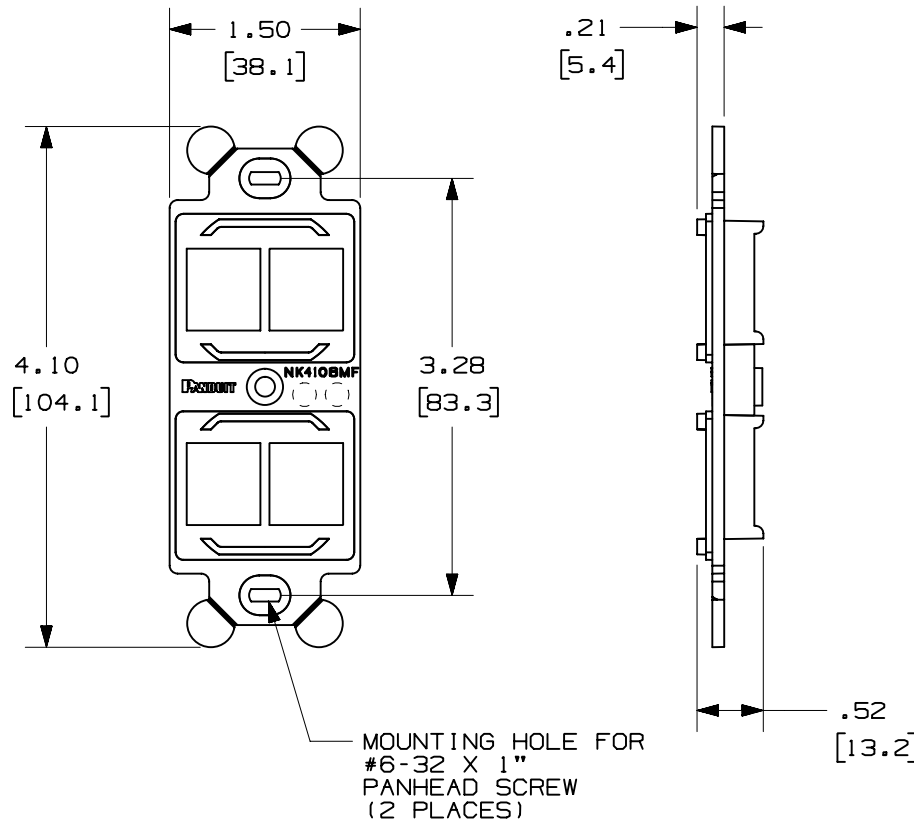


THIS COPY IS PROVIDED ON A RESTRICTED BASIS AND IS NOT TO BE USED IN ANY WAY DETRIMENTAL TO THE INTERESTS OF PANDUIT CORP.

PANDUIT P/N	WEIGHT
NK4106MF**	.03 lb EACH (12.2 g EACH)

NOTES:

- SEE CURRENT CATALOG FOR ADDITIONAL PART NUMBER SUFFIXES TO INDICATE COLOR AND OR PACKAGE QUANTITY.
- FRAME ACCEPTS FOUR 4 NETKEY™ MODULES.
- DIMENSIONS IN PARENTHESES ARE IN METRIC.
- (2) #6-32 x 1" PANHEAD SCREWS ARE SUPPLIED.

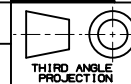


MODEL FILENAME	D38378BA_NK4106MF_04.PRT	SIZE	A
DRAWING FILENAME	D38378BA_DC_04B.PRT		

NETKEY™ 4 POSITION "106" STYLE  
MODULE FRAME CUSTOMER DRAWING



I.I. NUMBER	N/A
PRODUCT SPEC	N/A
WORK INSTRUCTION	N/A
SCALE	NONE
PART NO.	NK4106MF**
DRAWING NO.	38378-03



ALL DIMENSIONS ARE GIVEN IN INCHES, UNLESS OTHERWISE SPECIFIED.  
DIMENSIONAL TOLERANCES ARE:  
(.X) ±.03    (.XXX) ±.005  
(.XX) ±.01    ANGLES ± 1°

DRAWN BY	JsP
DATE	11-30-01
CHK'D	PM

MATERIAL:  
ABS

REV	DATE	BY	CHK	DESCRIPTION	ECN	R	CUST	SUP	OTH
1	10-18-02	JsP		A. REVISED TITLE.	38378-03				
R	11-30-01	JBN	PM	RELEASED TO PRODUCTION	38378-03				